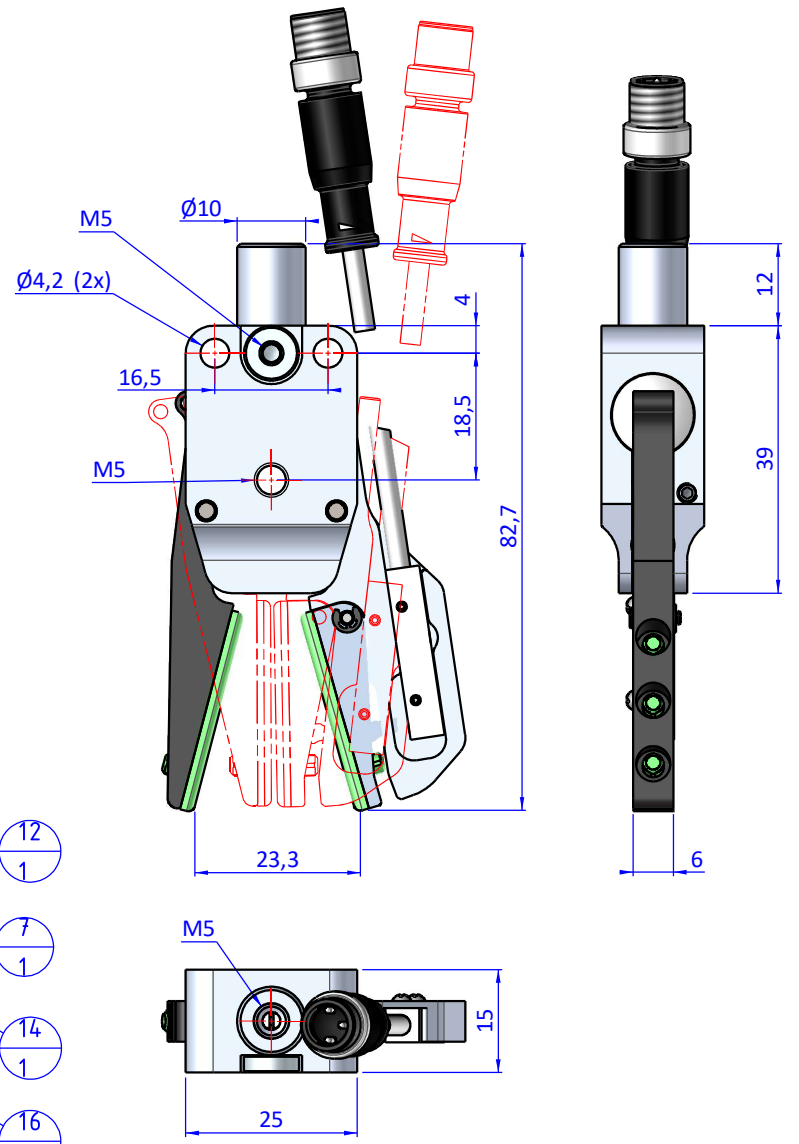
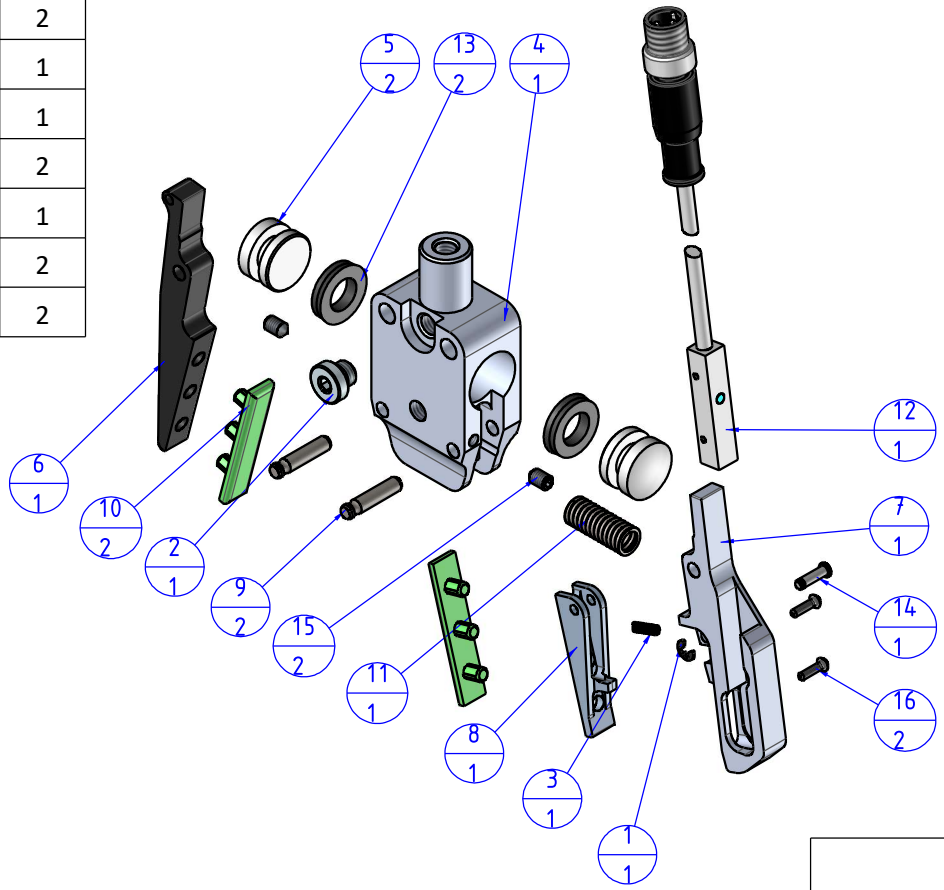



THE PROPERTY OF THE DRAWING IS ESTABLISHED BY LAW. IT IS FORBIDDEN TO PRODUCE OR SHOW IT TO THIRD PART WITHOUT A WRITTEN AGREEMENT.

Item	Name	Qty.
1	A.ELA.RA1.5	1
2	CA.08.14.013	1
3	DIM.D10620	1
4	GZA.10.12.1.L	1
5	GZA.10.12.2	2
6	GZA.10.12.3.G	1
7	GZA.10.12.3.S	1
8	GZA.10.12.3.S1G	1
9	GZA.10.12.5	2
10	GZA.10.12.6.V	2
11	M.6x25.SH	1
12	MMD.IL5AN3AVF80	1
13	PSP.1269255	2
14	SP.2x7.5SS	1
15	V.STM3X5	2
16	V.TBCE1,6X6	2



Format A3  
UNI 936-76

 FPS SERVICES AUTOMATION		DESIGNED FROM		REVIEW
		FPS Automation		A
GENERAL TOLERANCE		DATE	WEIGHT	
UNI - ISO 2768		24/02/2020	0,061kg	
CLASSE f		CODE		
		CA.GZA.10.12.SGN		CA.GZA.10.12.SGN